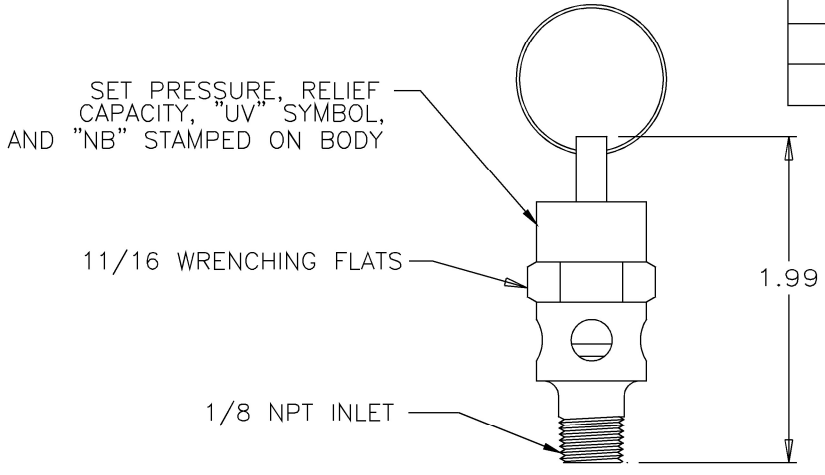
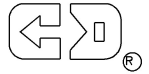


THIS DOCUMENT CONTAINS PROPRIETARY AND CONFIDENTIAL INFORMATION OF CONTROL DEVICES INC. AND MUST BE USED STRICTLY IN ACCORDANCE WITH THE LIMITED PURPOSE FOR WHICH IT WAS SUBMITTED. ANY REPRODUCTION, DISCLOSURE OR USE OF THIS DOCUMENT IS EXPRESSLY PROHIBITED, EXCEPT AS OTHERWISE AGREED IN WRITING.

DATE	SYM	REVISION RECORD	ECN NO.	CK.
5/09	A	RELEASE TO PRODUCTION	09-219	



1. SET PRESSURE RANGE IS 25 PSI TO 350 PSI.
2. RELIEF CAPACITY IS GIVEN BY THE EQUATION
 $Q = .759(1.1P + 14.7)$, WHERE
 Q = RELIEF CAPACITY IN SCFM, AND
 P = SET PRESSURE IN PSI
3. MATERIALS OF CONSTRUCTION
 BODY, ROD, CUP, SCREW--BRASS
 SPRING--MUSIC WIRE
 PAD--SILICONE RUBBER
 PULL RING--STAINLESS STEEL
4. MAX TEMPERATURE 250° F

TOLERANCES (EXCEPT AS NOTED)		 control devices inc. 711 HANLEY INDUSTRIAL COURT ST. LOUIS, MISSOURI 63144			
DECIMAL +	MATERIAL	SCALE	SIZE	DRAWN BY RMH	
FRACTIONAL +		FULL	A	APPROVED BY	
ANGULAR +	TITLE VALVE, ASME SAFETY, 1/8 NPT				
DATE 5/17/91	CAD FILE	DRAWING NUMBER			
C:\ACADWIN\PARTDWGS\ST2512.DWG		ST2512		REV A	

ALL DIMENSIONS ARE IN INCHES.